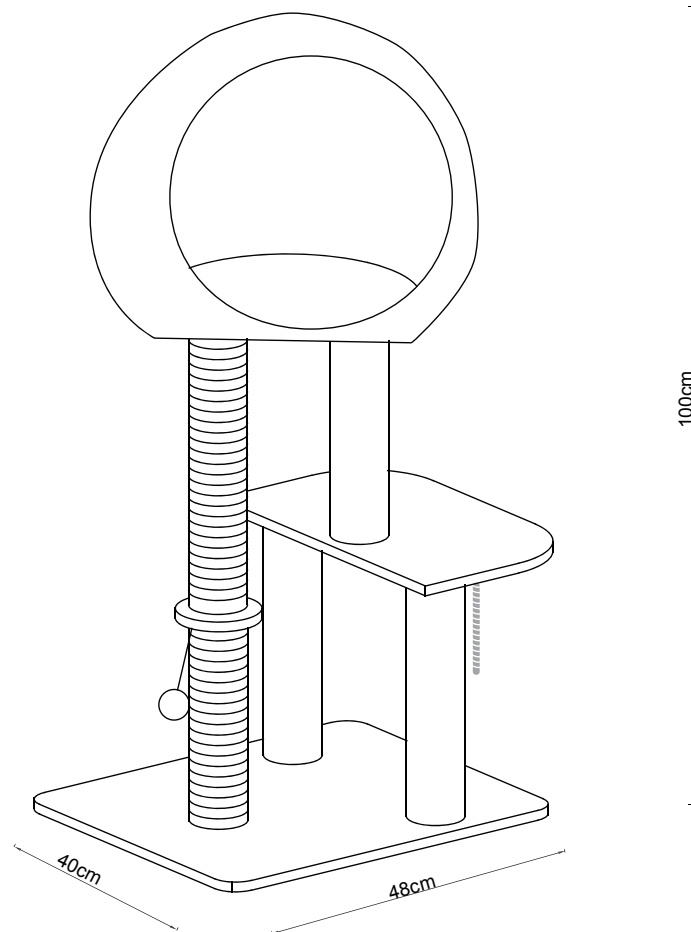


ASSEMBLY INSTRUCTION

Macarthy

Wicker Pet Scratch Pole

ITEM CODE:76147

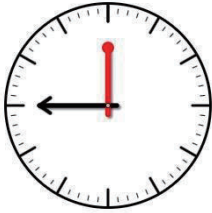



Imported by JWA Furniture Pty Ltd, Qld, Brisbane Australia.
For any assistance with assembly or for missing parts please refer to your receipt

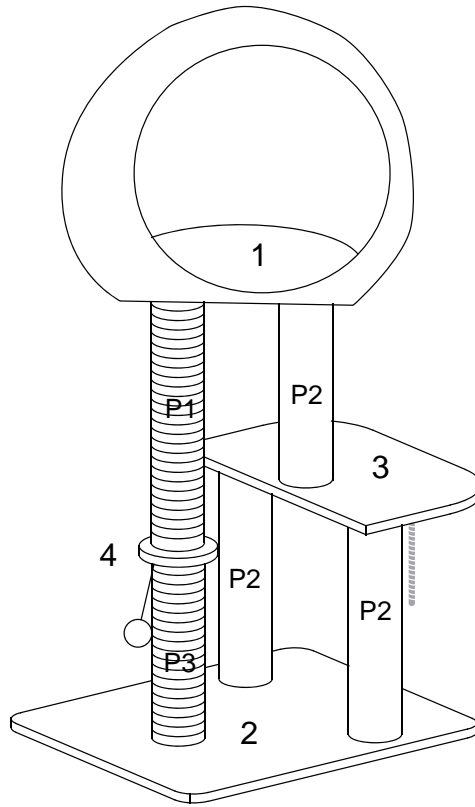
PRE-ASSEMBLY PREPARATION

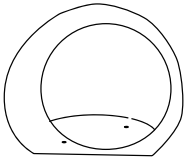
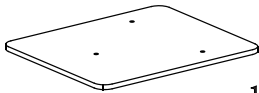
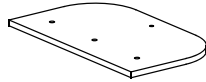
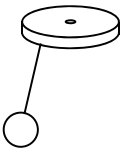
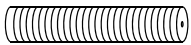
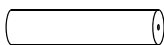
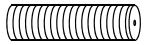
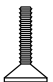



Before you start :

1. Choose a clean, level, spacious assembly area. Avoid hard surfaces that may damage the product
2. Take care when lifting. Product should be assembled as near as possible to the point of use
3. Ensure that you have all required contents for complete assembly
4. Always read the assembly instructions carefully before beginning assembly.
5. Keep all hardware parts and packaging out of reach of small children.
6. Do not over tighten the screws and bolts as this may damage the threads
7. Assembly is to be carried out by a competent adult(s) ONLY
8. During assembly, children should be kept away from the product due to possible risk to injury.
9. Do not use this item if any components are missing or damaged.
Please keep the instructions for future reference.

	
Allow 20 min	For 1 person

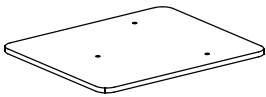
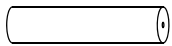
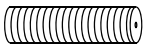
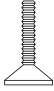
PARTS LIST



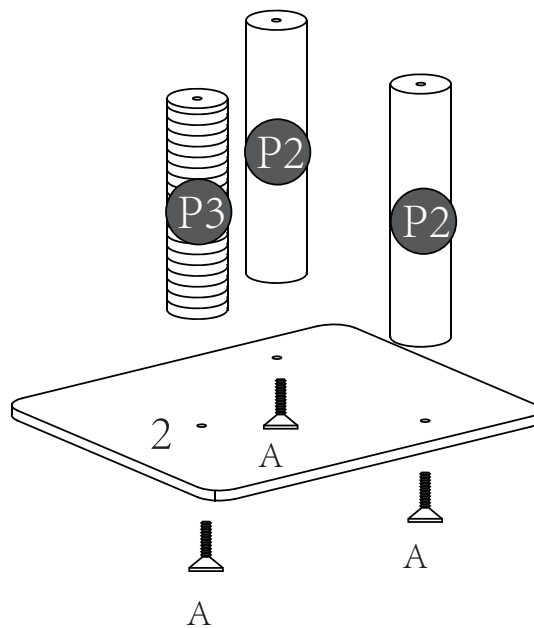
<p>1. Cat cubby</p>  <p>1pc</p>	<p>2. Bottom board</p>  <p>1pc</p>	<p>3. Top board</p>  <p>1pc</p>	
<p>4. Hanging pom pom</p>  <p>1pc</p>			
<p>P1. Long sisal pole</p>  <p>1pc</p>	<p>P2. Plush pole</p>  <p>3pcs</p>	<p>P3. Short sisal pole</p>  <p>1pc</p>	
<p>A.</p>  <p>M8*35,8pcs</p>	<p>B.</p>  <p>M8*70,1pc</p>	<p>C.</p>  <p>M8,1pc</p>	<p>D.</p>  <p>M6,1pc</p>

Step 1

You will need

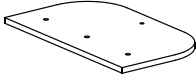
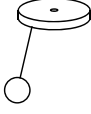

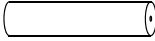
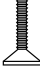

2. Bottom board  1pc	P2. Plush pole  2pcs	P3. Short sisal pole  1pc
A.  M8*35, 3pcs		

- Attach short sisal pole (P3), plush pole (P2) to bottom board (2) by using screw (A).
- Insert all screws before fully tightening.
- Tighten with allen key (C).

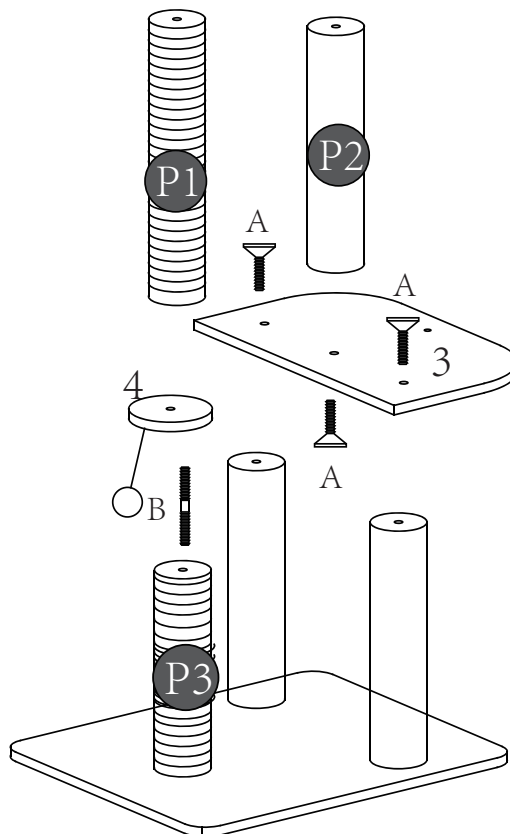


Step 2

You will need

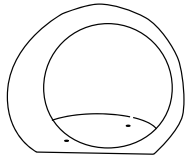
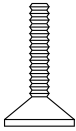

3. Top board  1pc	4. Hanging pom pom  1pc	P1. Long sisal pole  1pc
P2. Plush pole  1pc	A.  M8*35,3pcs	B.  M8*70,1pc

- Insert screw (B) into short sisal pole (P3) and tighten. Place hanging pom pom (4) on top. Screw long sisal pole (P1) into screw (B) by rotating part until tight.
- Attach top board (3), plush pole (P2) to fixed bottom part using screw (A)
- Insert all screws before fully tightening.
- Tighten with allen key (C).

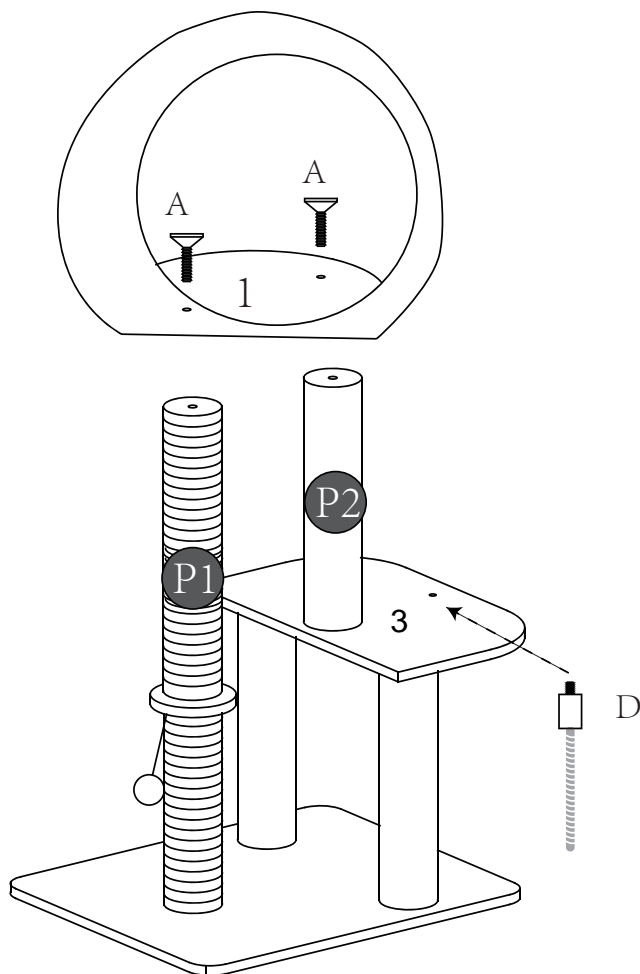


Step 3

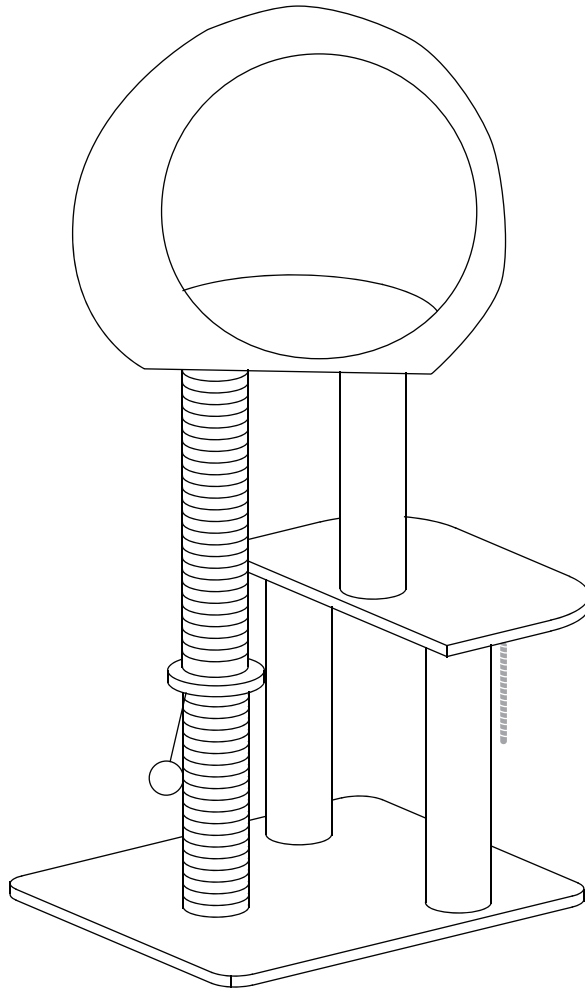
You will need

1. Cat cubby  1pc	A.  M8*35,2pcs	D.  M6,1pc
--	---	---

- Attach cat cubby (1) to plush pole (P2) and long sisal pole (P1) using screw (A) .
- Tighten with allen key (C).
- Screw part (D) into top board (3) from underneath.



ASSEMBLY IS COMPLETE



PRODUCT CARE

SPOT CLEANING:

- Do not rub.
- Do not spot clean with solvent.
- Treat spills and stains as soon as possible.
- Gently scrap off any soil or blot any liquid from the surface of the fabric before applying cleaner.
- Apply proprietary cleaning agents strictly according to instructions to remove the residue of the spill.
- Do not saturate the fabric or interior with water or other cleaning liquids.